



# Installation instructions, accessories

Volvo Car Corporation Gothenburg, Sweden

Instruction No	Version	Part. No.
31454812	1.2	31454574, 31454575

## Polestar Performance Interior and Exterior



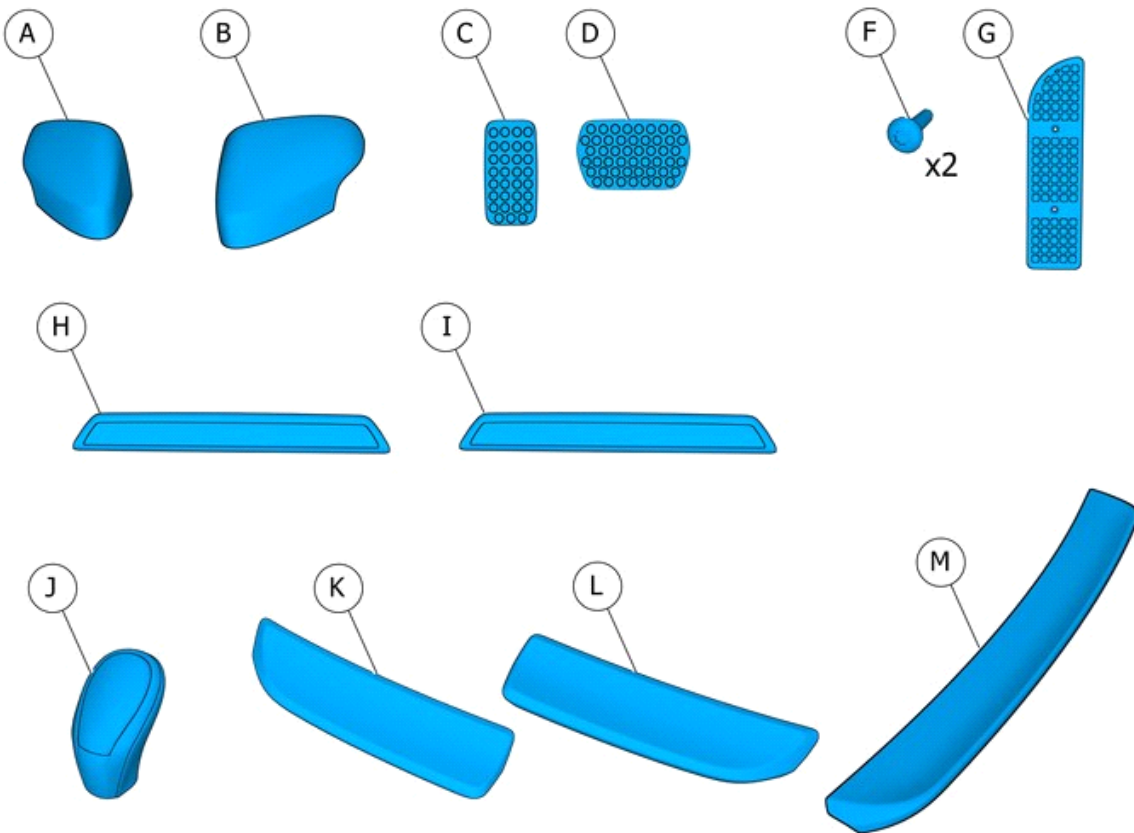
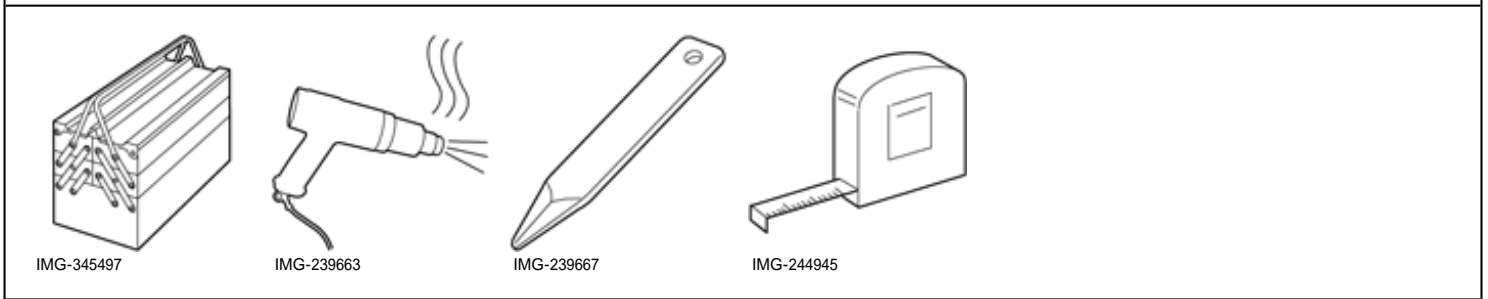
# Installation instructions, accessories

Volvo Car Corporation Gothenburg, Sweden

## Materials

Designation	Part number
Isopropanol	1161721
Masking tape	
Glue	8750060

## Equipment

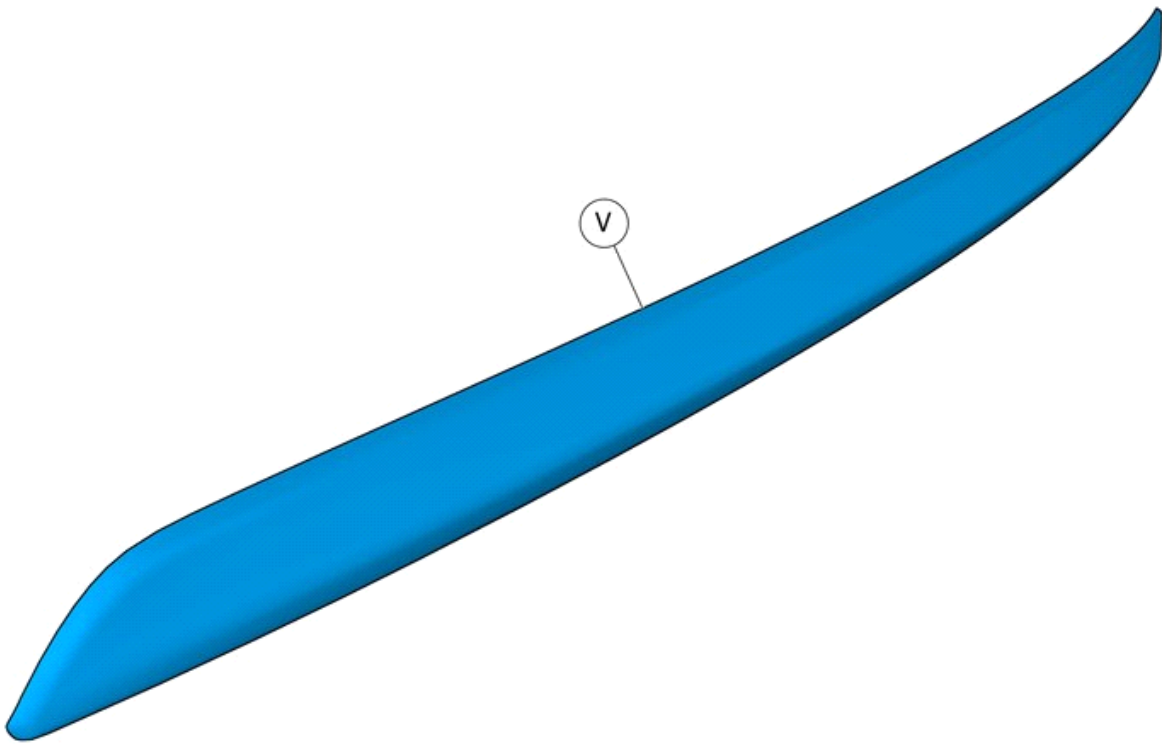


IMG-418620



# Installation instructions, accessories

Volvo Car Corporation Gothenburg, Sweden

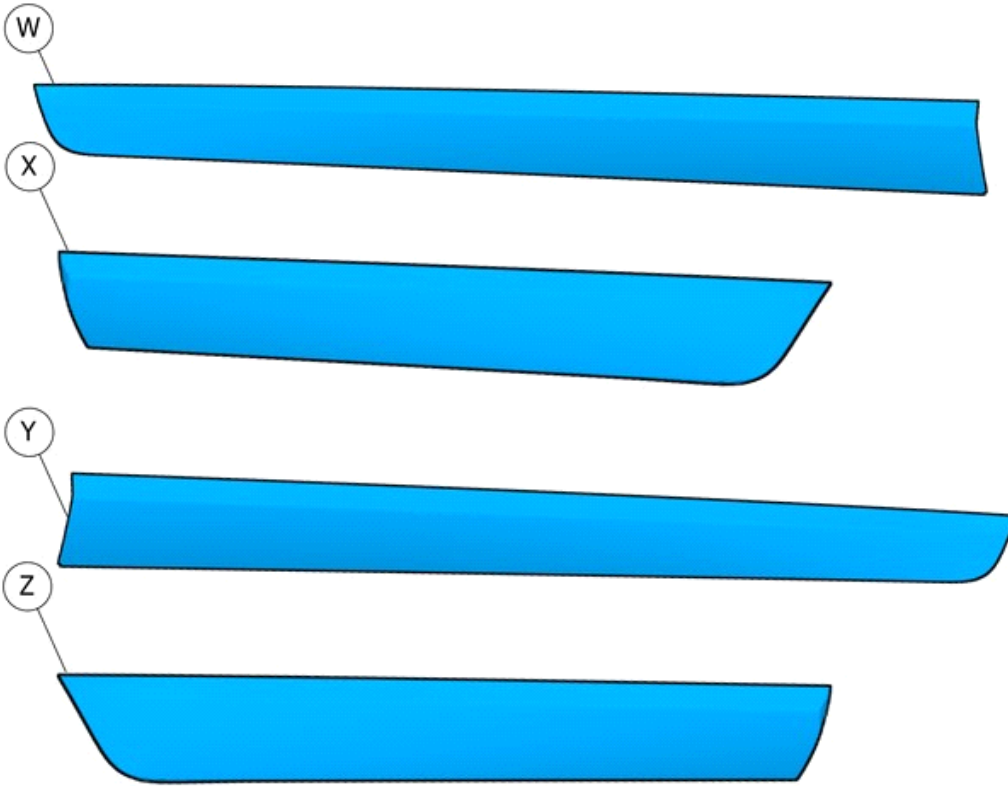


IMG-413826



# Installation instructions, accessories

Volvo Car Corporation Gothenburg, Sweden



IMG-415667



# Installation instructions, accessories

Volvo Car Corporation Gothenburg, Sweden

---

## Information

1

Read through all of the instructions before starting installation.

Notifications and warning texts are for your safety and to minimise the risk of something breaking during installation.

Ensure that all tools stated in the instructions are available before starting installation.

Certain steps in the instructions are only presented in the form of images. Explanatory text is also given for more complicated steps.

In the event of any problems with the instructions or the accessory, contact your local Volvo dealer.

---

## Further information

2



When installing, the car must retain a temperature of 20 degrees C.

After installation, the car must not be washed for 48 hours

IMG-400007

---

## Color symbols

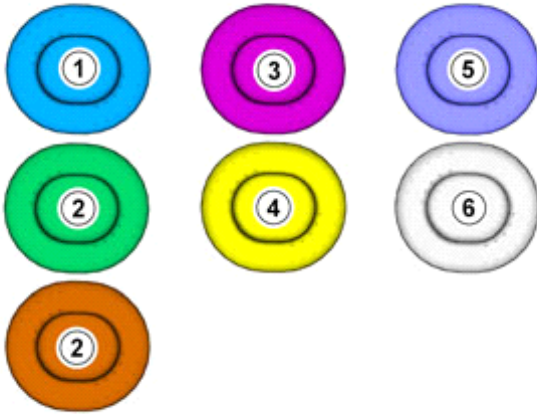
---



# Installation instructions, accessories

Volvo Car Corporation Gothenburg, Sweden

3



IMG-363036

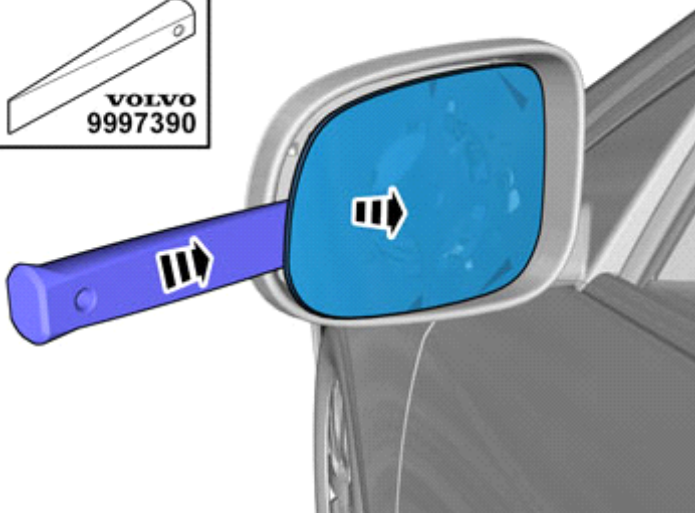
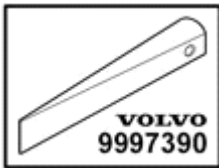
### Note!

This colour chart displays (in colour print and electronic version) the importance of the different colours used in the images of the method steps.

- Used for focused component, the component with which you will do something.
- Used as extra colors when you need to show or differentiate additional parts.
- Used for attachments that are to be removed/installed. May be screws, clips, connectors, etc.
- Used when the component is not fully removed from the vehicle but only hung to the side.
- Used for standard tools and special tools.
- Used as background color for vehicle components.

## Removal

4



IMG-350367

### Caution!

Observe caution, the glass breaks easily.

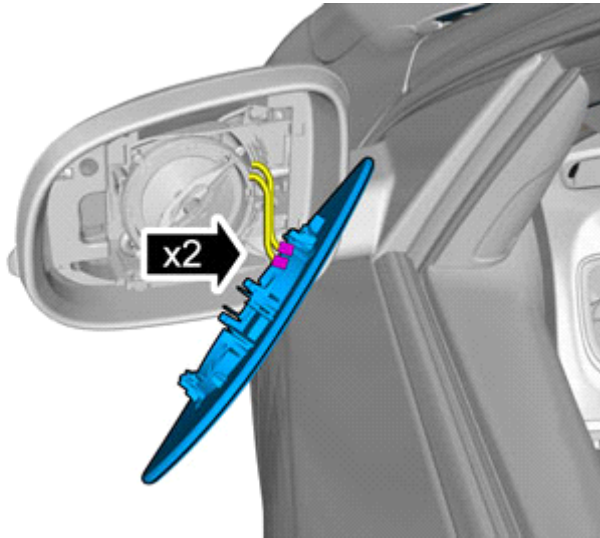
Remove the glass from the mirror.



# Installation instructions, accessories

Volvo Car Corporation Gothenburg, Sweden

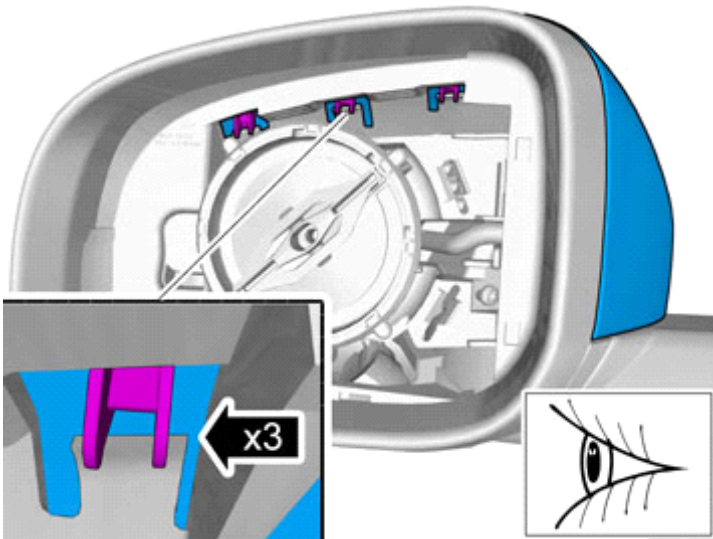
5



Disconnect the connectors.

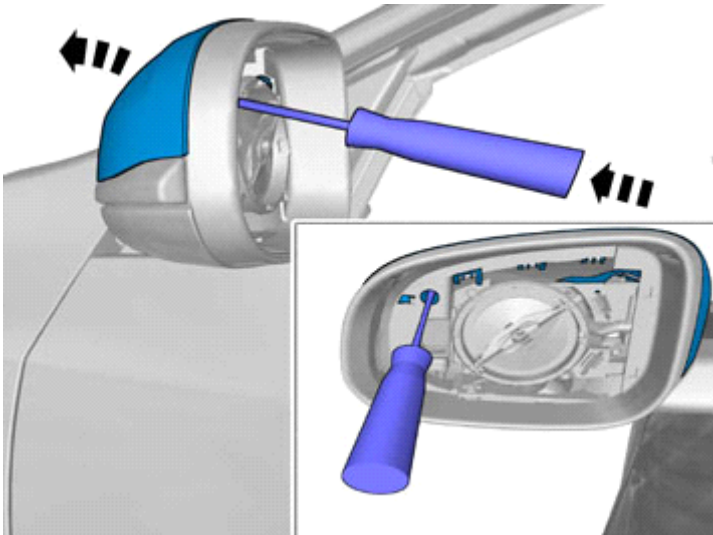
IMG-350369

6



IMG-350368

7



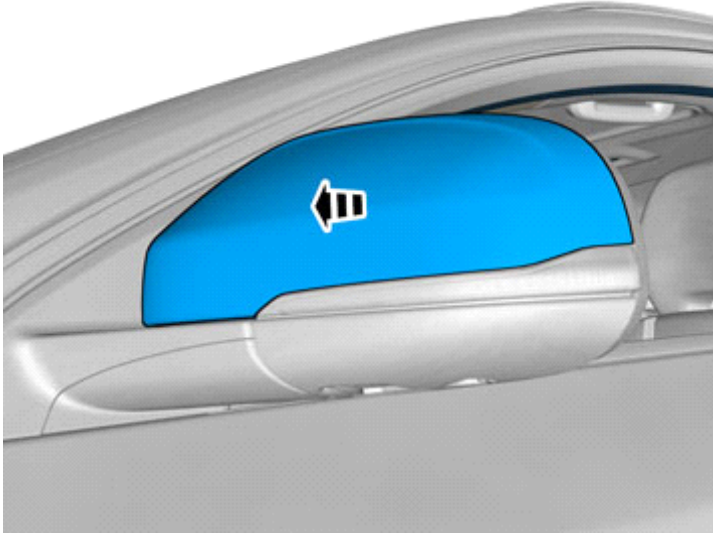
IMG-359036



# Installation instructions, accessories

Volvo Car Corporation Gothenburg, Sweden

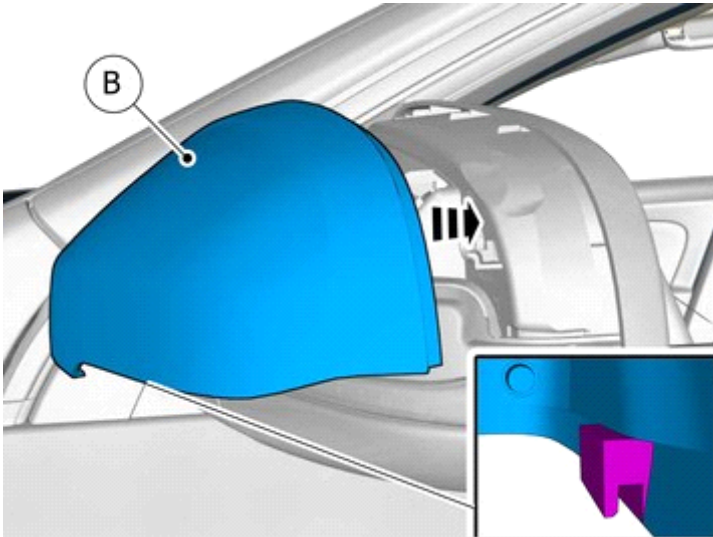
8



IMG-350370

## Accessory installation

9



IMG-418627

Install component that comes with the accessory kit.

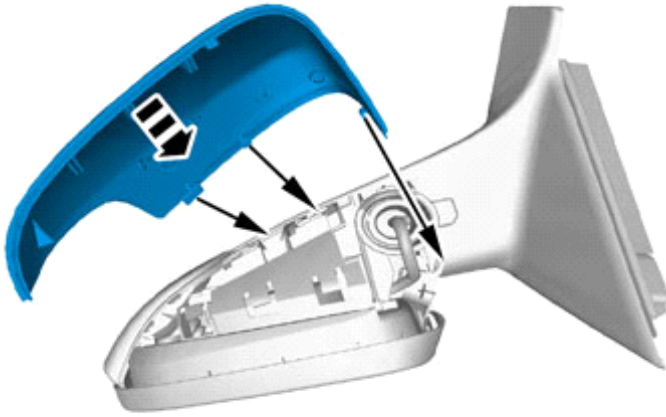




# Installation instructions, accessories

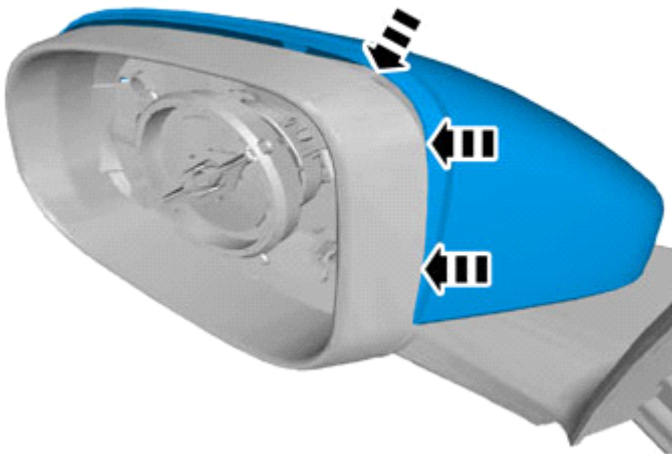
Volvo Car Corporation Gothenburg, Sweden

10



IMG-359046

11



IMG-359048

12



IMG-359047



# Installation instructions, accessories

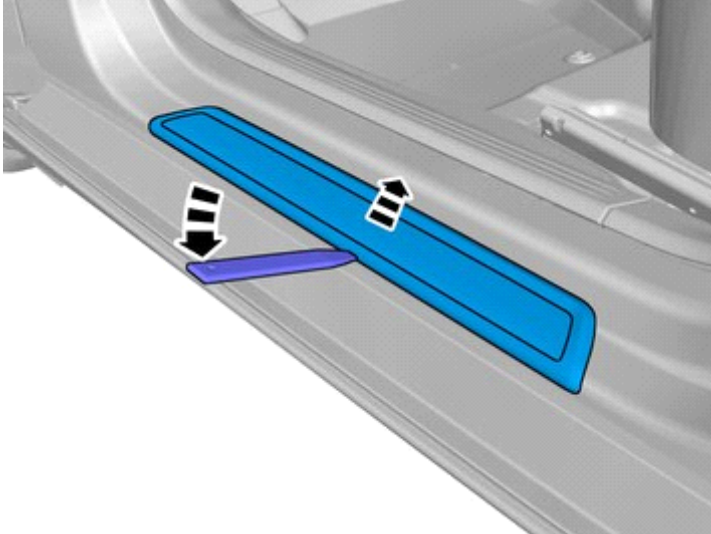
Volvo Car Corporation Gothenburg, Sweden

13

Repeat all method steps for the other side.

## Removal

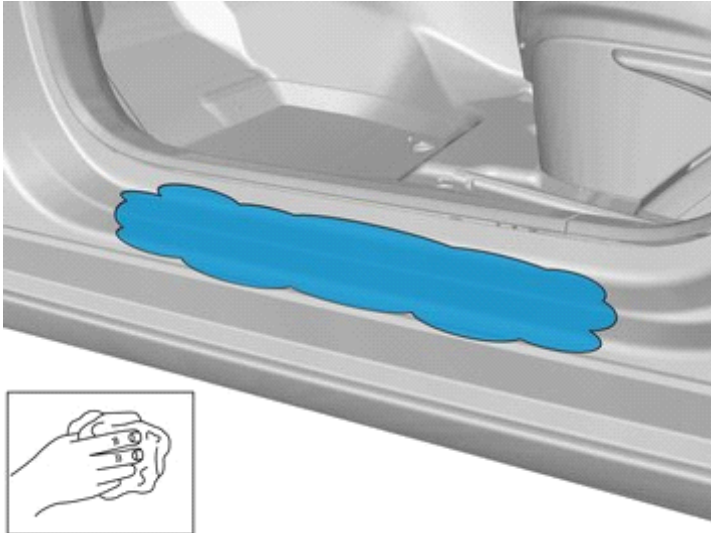
14



IMG-414897

Remove the part carefully

15



IMG-414896

Clean the surface.

Wipe dry.

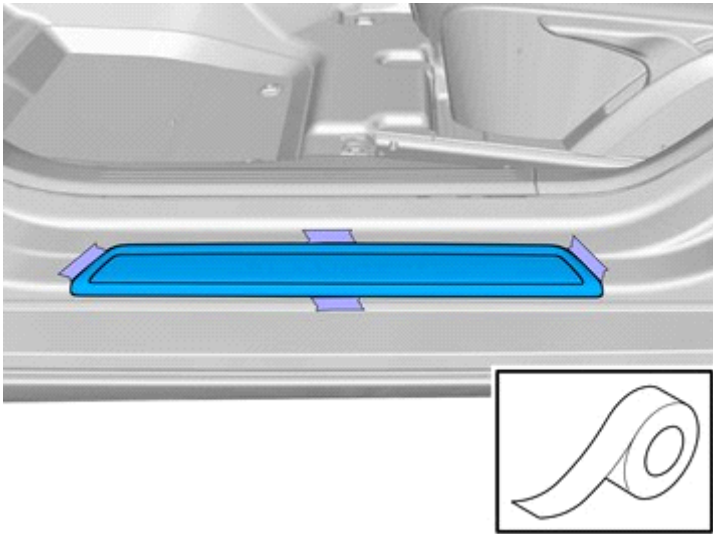
## Accessory installation



# Installation instructions, accessories

Volvo Car Corporation Gothenburg, Sweden

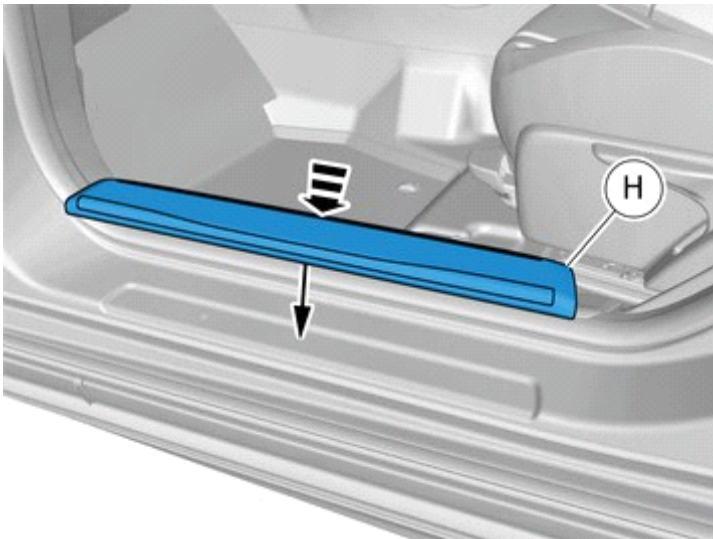
16



IMG-414902

Measure and mark as illustrated.

17

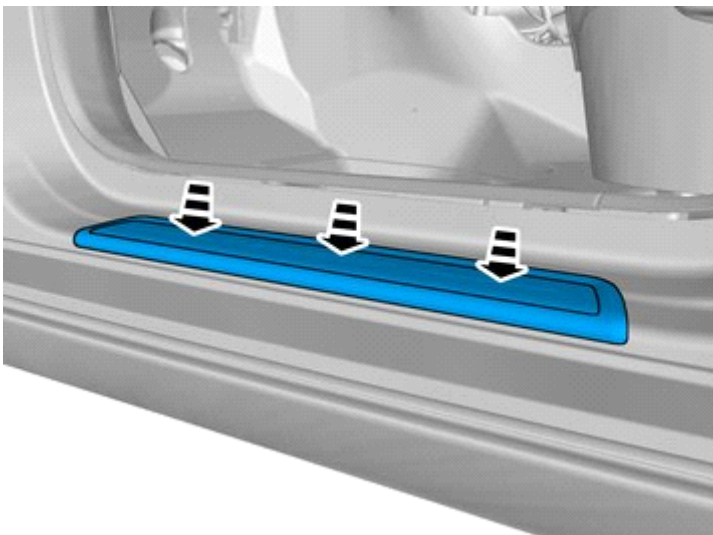


IMG-418630

Remove the protective film.

Install component that comes with the accessory kit.

18



IMG-414899

**Note!**

Press and apply pressure to the part over the tape for at least 20 seconds.

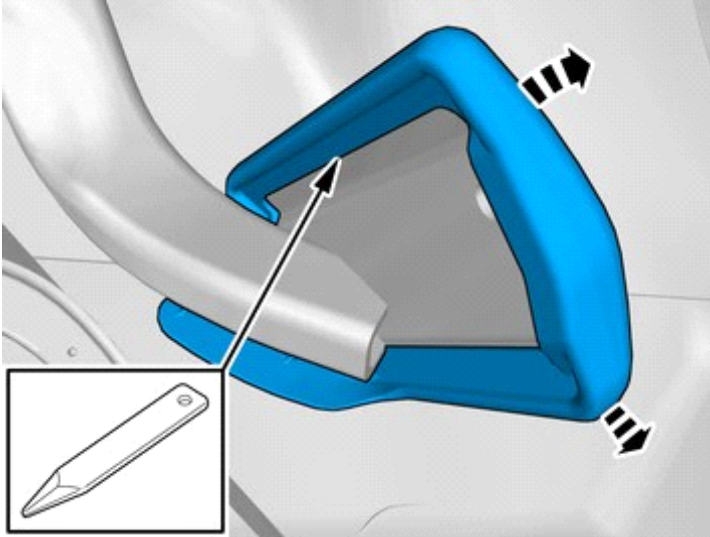


# Installation instructions, accessories

Volvo Car Corporation Gothenburg, Sweden

## Removal

19



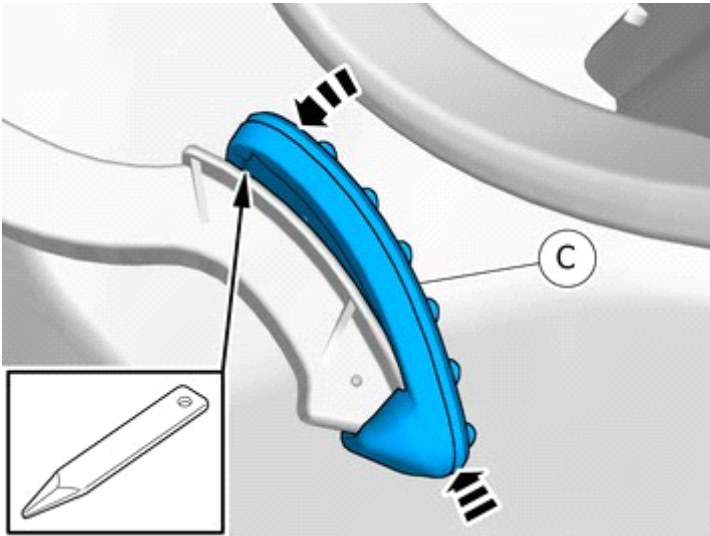
IMG-416296

Remove the marked part.

**Use:** Interior trim remover

## Accessory installation

20



IMG-416245

Install component that comes with the accessory kit.

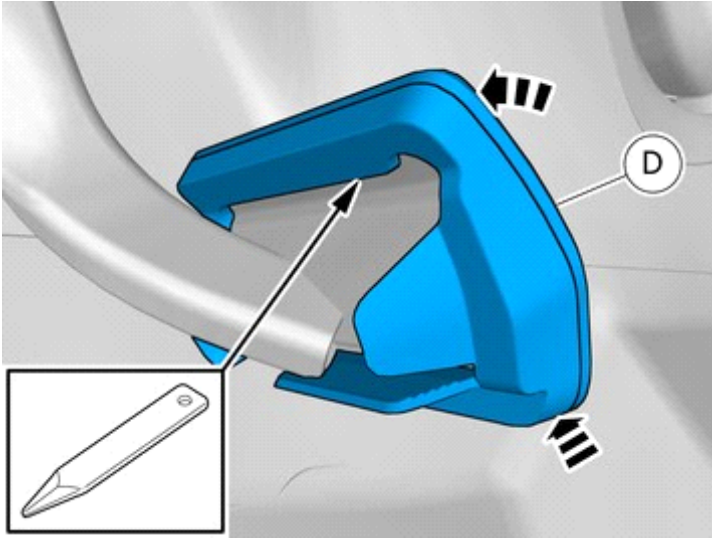
**Use:** Interior trim remover



# Installation instructions, accessories

Volvo Car Corporation Gothenburg, Sweden

21

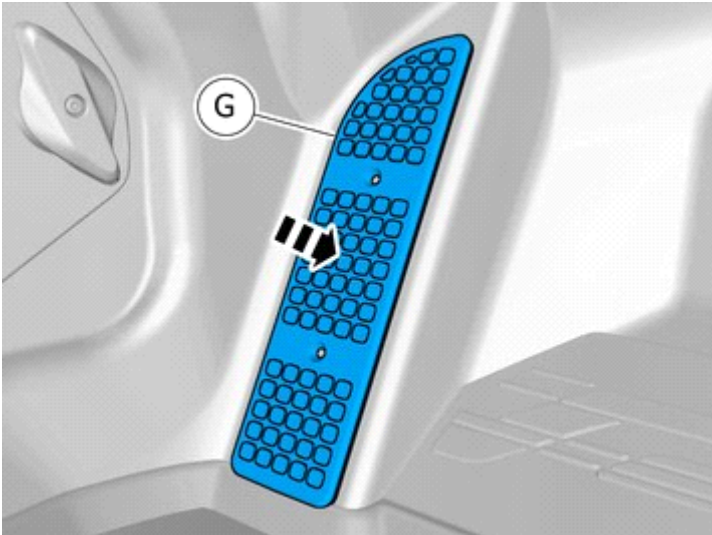


IMG-416295

Install component that comes with the accessory kit.

**Use:** Interior trim remover

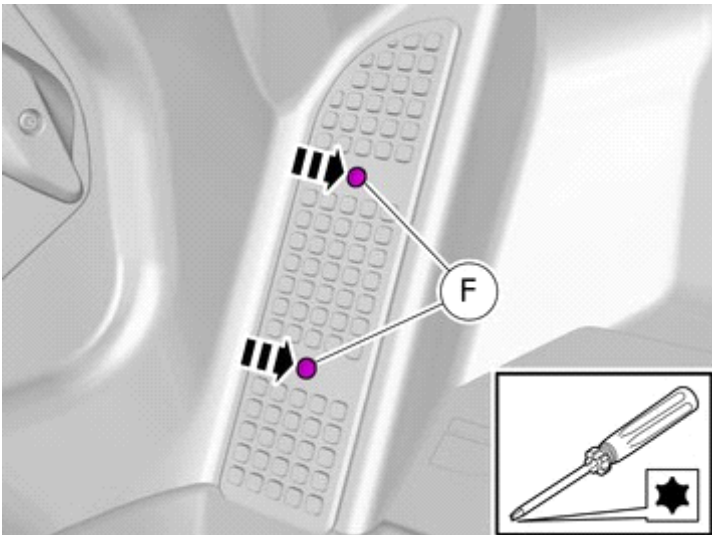
22



IMG-416251

Place the component where indicated in the graphic.

23



IMG-416252

Install the screws.





# Installation instructions, accessories

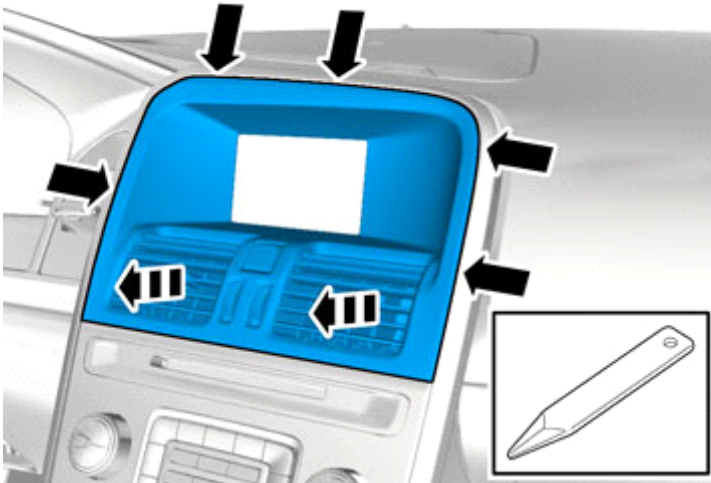
Volvo Car Corporation Gothenburg, Sweden

24

When installing on right-hand drive cars, perform the procedures on the opposite side and/or mirrored.

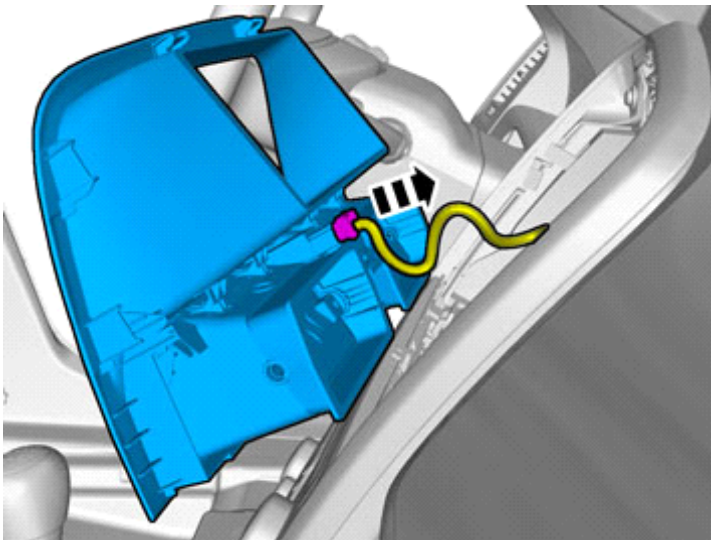
## Removal

25



IMG-345728

26



IMG-345734

Disconnect the connector.



# Installation instructions, accessories

Volvo Car Corporation Gothenburg, Sweden

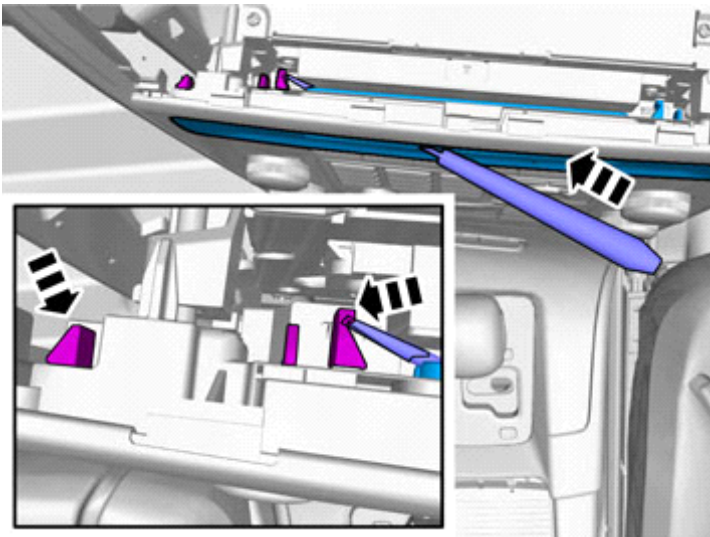
27



IMG-292863

**Note!**  
Orientation view

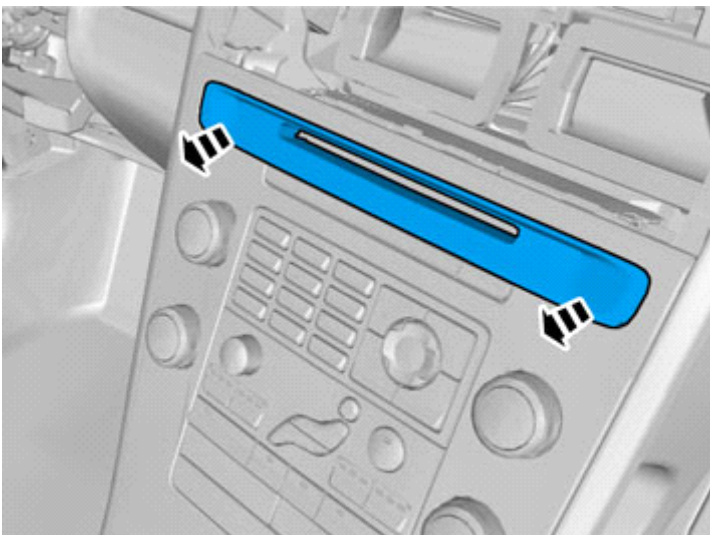
28



IMG-292883

**Use:** Electrician's screwdriver

29



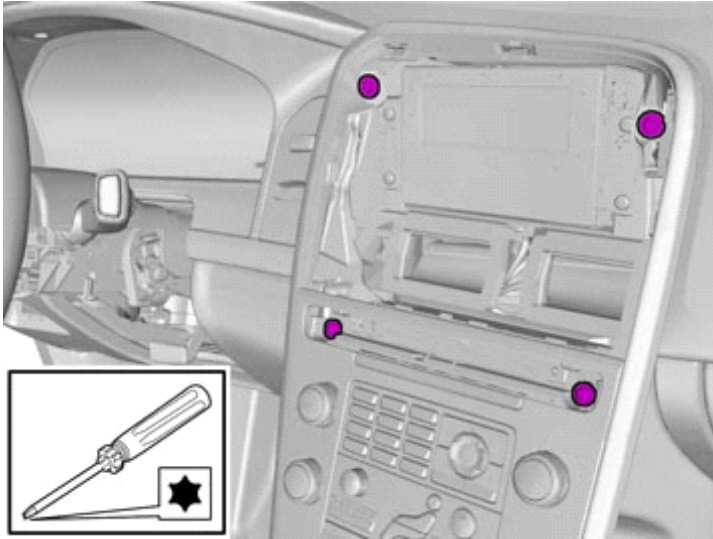
IMG-293126



# Installation instructions, accessories

Volvo Car Corporation Gothenburg, Sweden

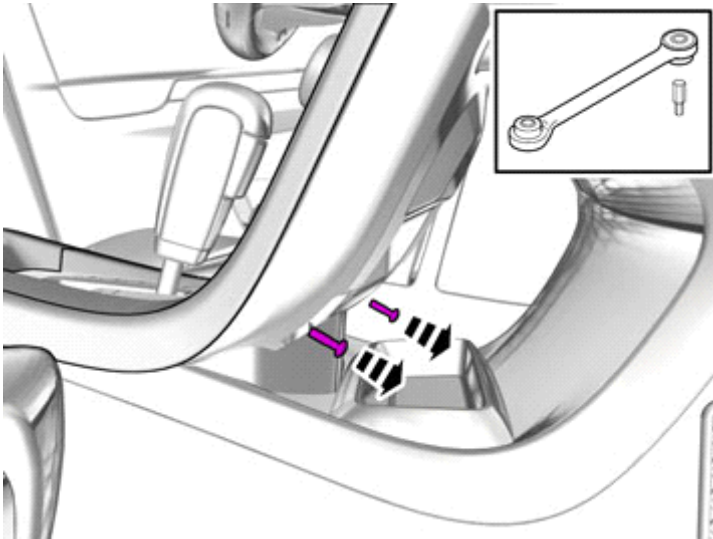
30



IMG-292884

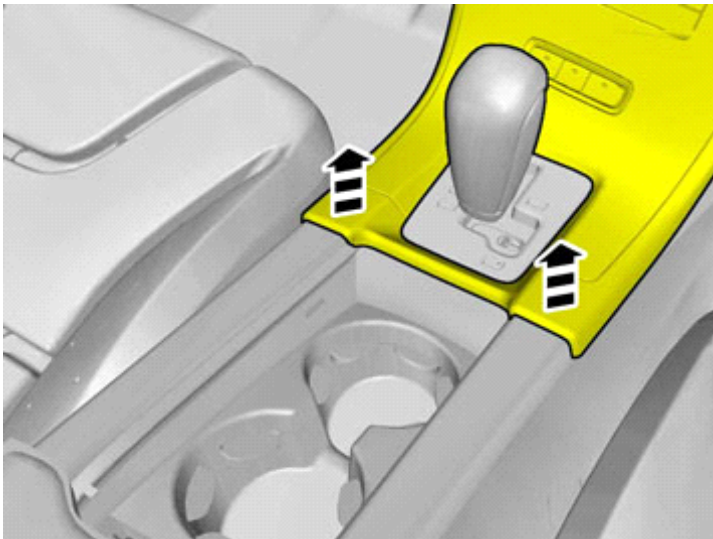
Remove the screws.

31



IMG-345282

32



IMG-344796

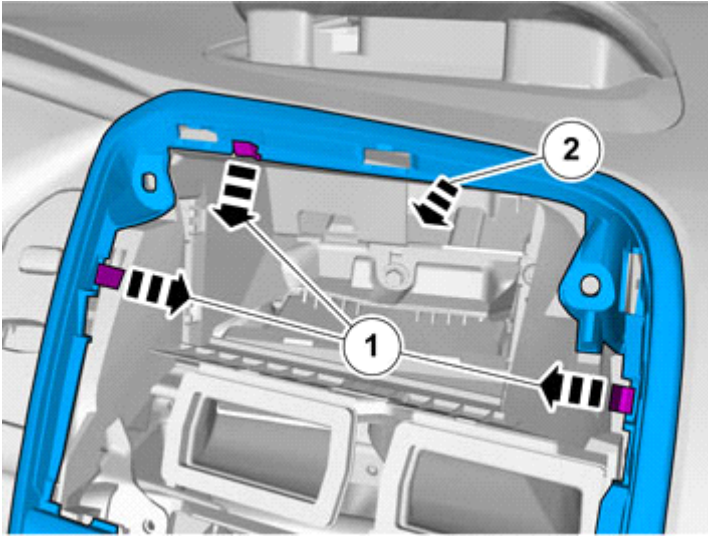




# Installation instructions, accessories

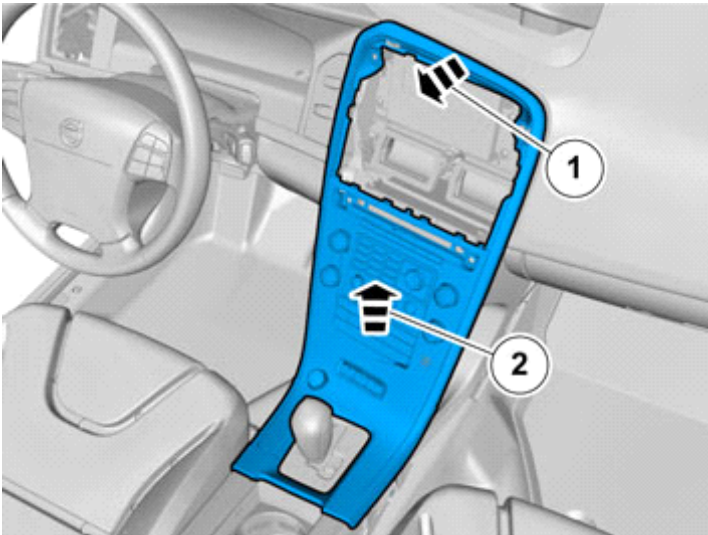
Volvo Car Corporation Gothenburg, Sweden

33



IMG-293010

34



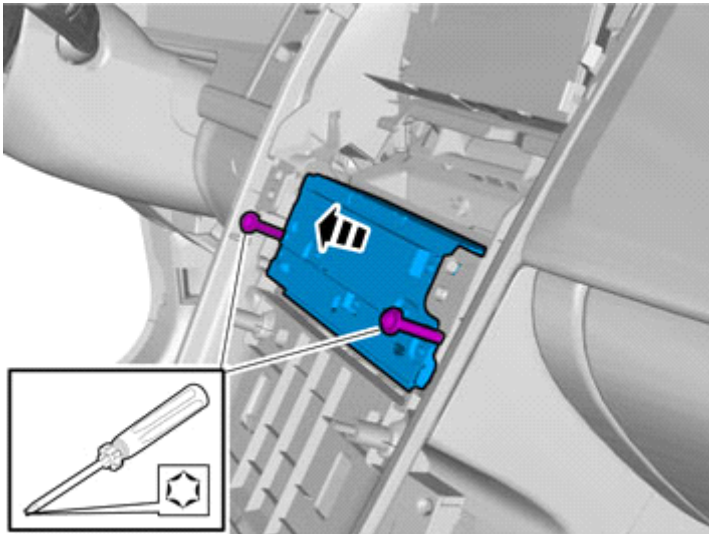
IMG-293011



# Installation instructions, accessories

Volvo Car Corporation Gothenburg, Sweden

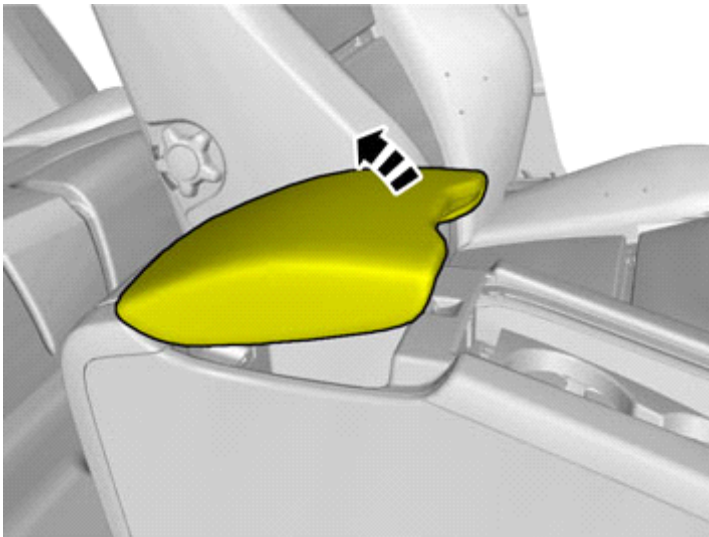
35



IMG-293012

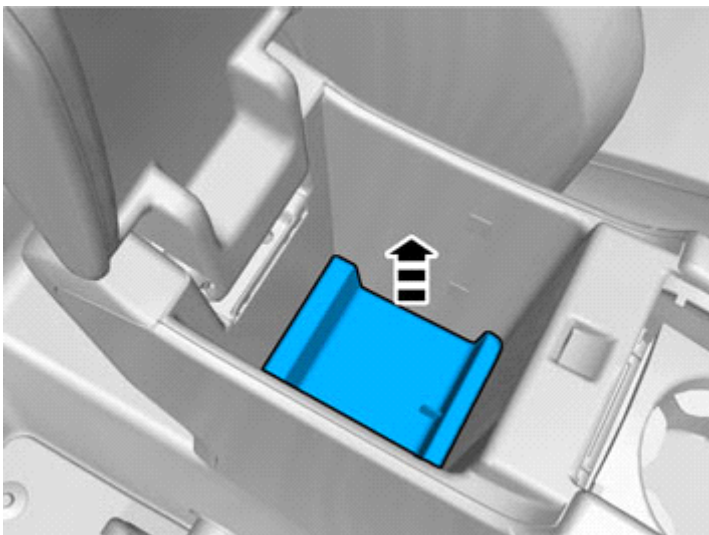
Remove the screws.

36



IMG-293021

37



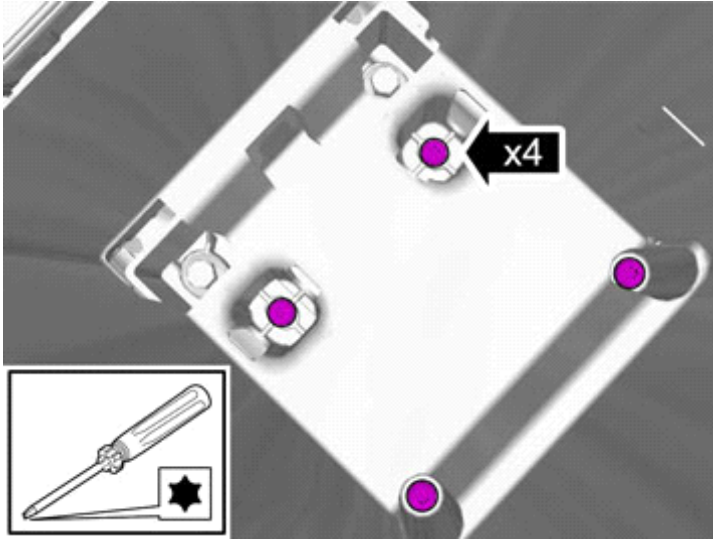
IMG-293022



# Installation instructions, accessories

Volvo Car Corporation Gothenburg, Sweden

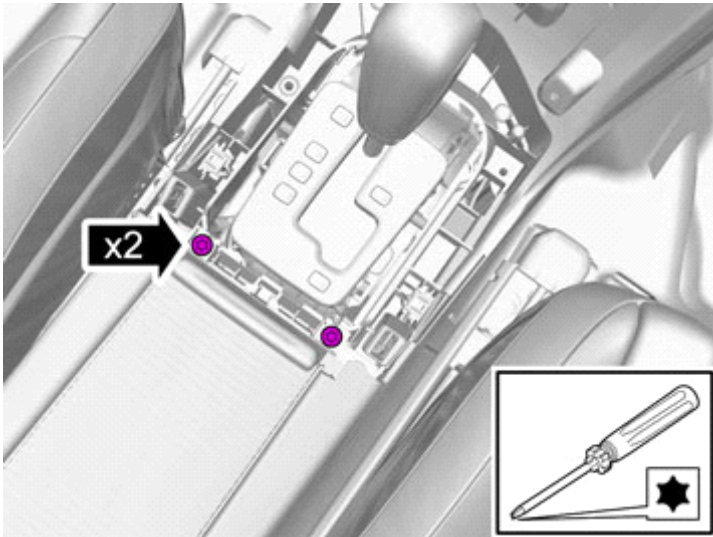
38



IMG-293023

Remove the screws.

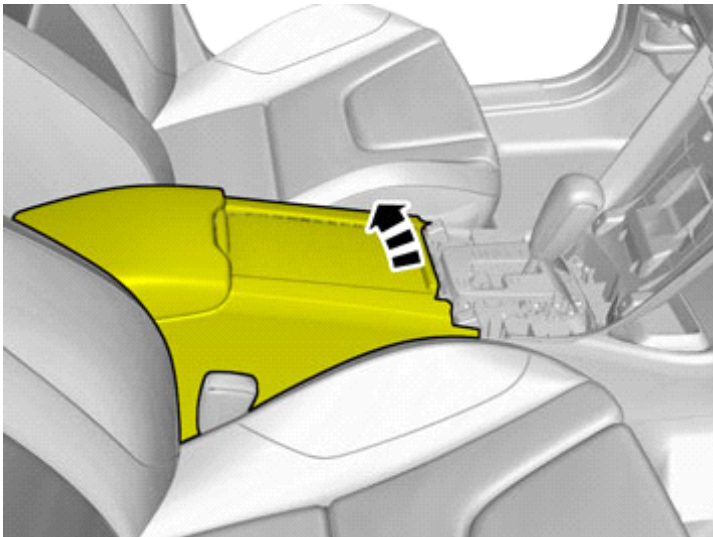
39



IMG-371300

Remove the screws.

40



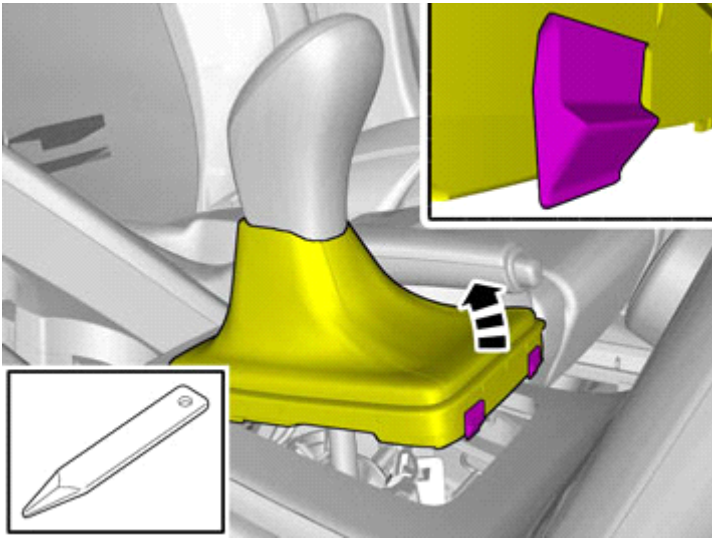
IMG-371303



# Installation instructions, accessories

Volvo Car Corporation Gothenburg, Sweden

41

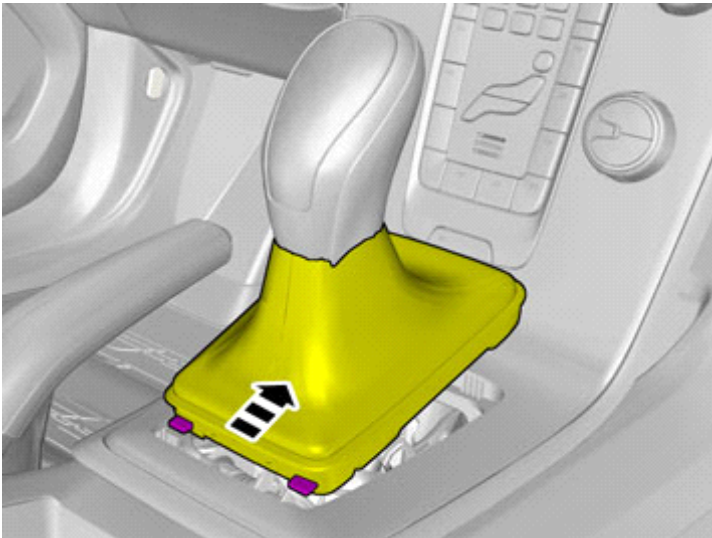


IMG-352899

Release the lock.

**Use:** Interior trim remover

42



IMG-352929

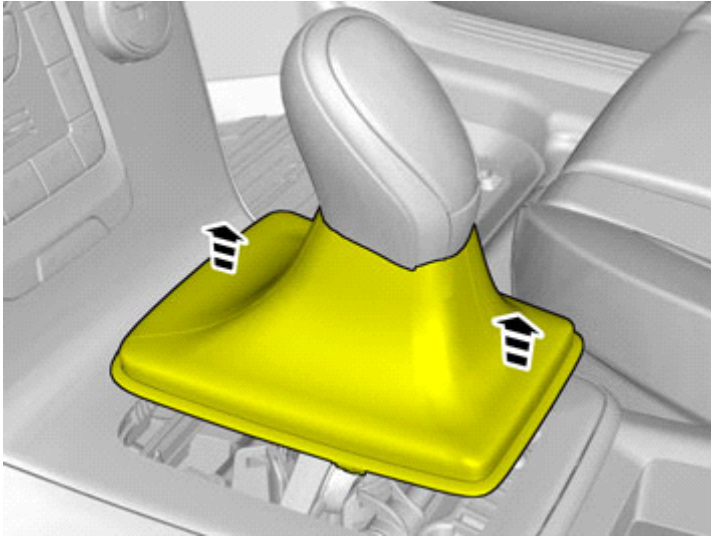




# Installation instructions, accessories

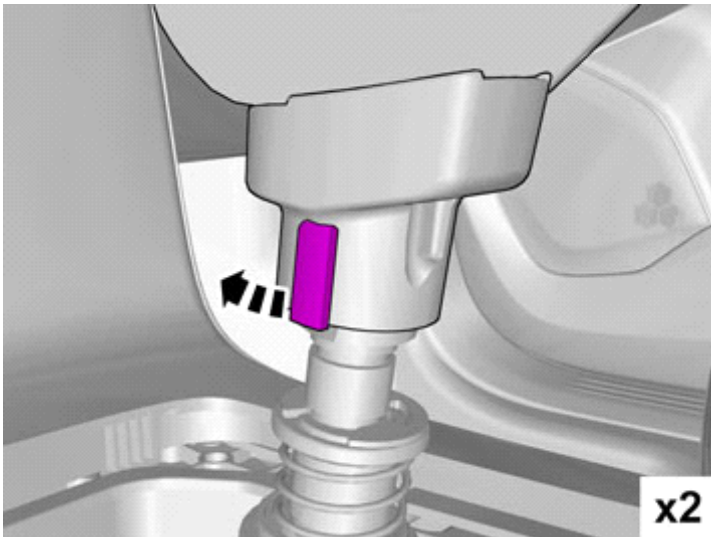
Volvo Car Corporation Gothenburg, Sweden

43



IMG-367797

44



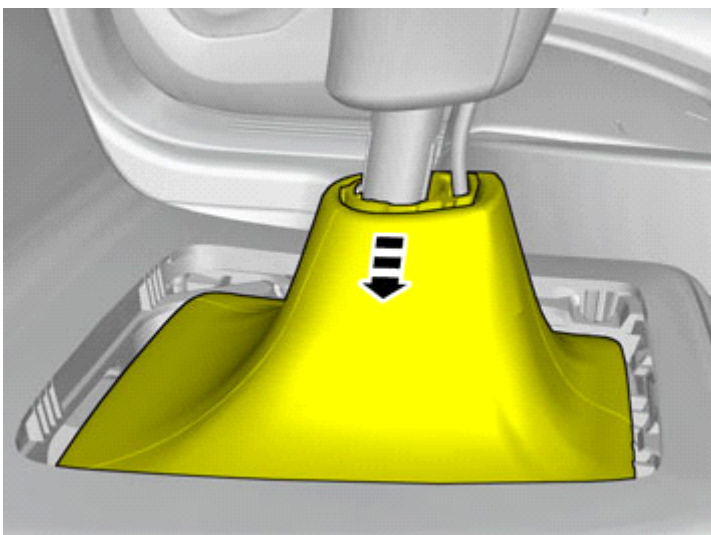
IMG-367741

Release the lock.

Repeat on the other side.

**Use:** Electrician's screwdriver

45



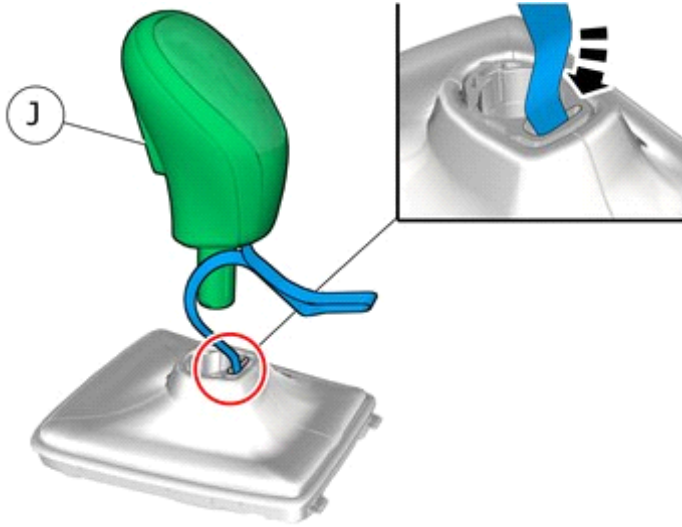
IMG-367751

Release the catch which is located inside the gear lever boot.



## Accessory installation

46

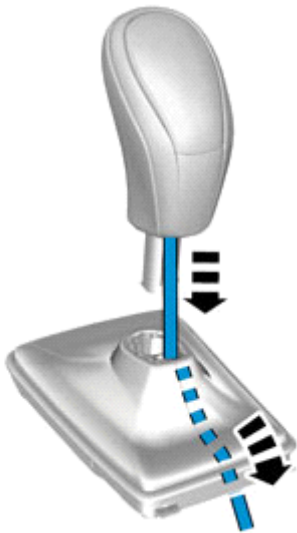


**Caution!**

Ensure that the wire or wiring harness cannot rub against adjacent components.

IMG-418632

47



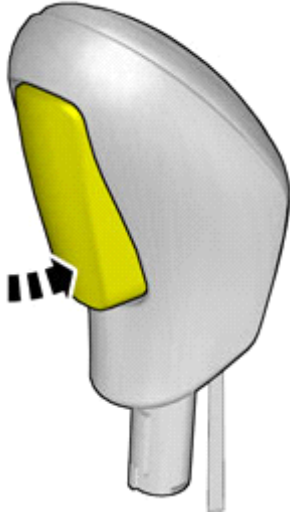
IMG-367926



# Installation instructions, accessories

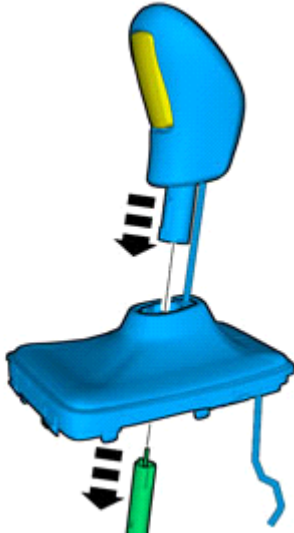
Volvo Car Corporation Gothenburg, Sweden

48



IMG-367983

49

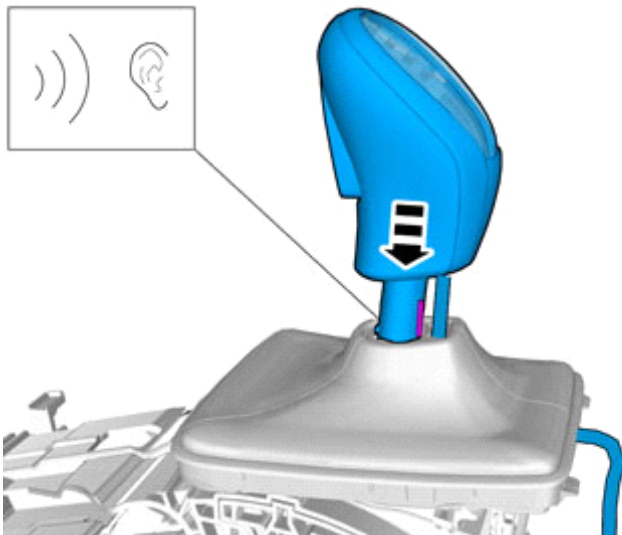


IMG-368004

**Caution!**

Ensure that the wire or wiring harness cannot rub against adjacent components.

50



IMG-368012

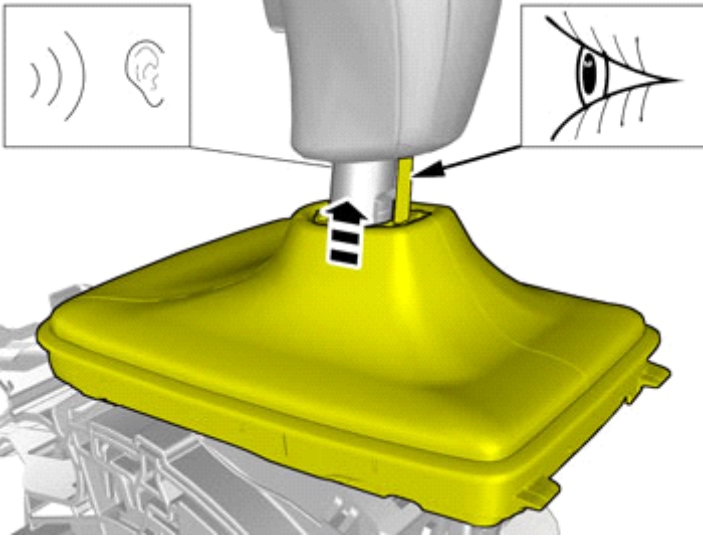
A click confirms that the component is in the correct position.



# Installation instructions, accessories

Volvo Car Corporation Gothenburg, Sweden

51

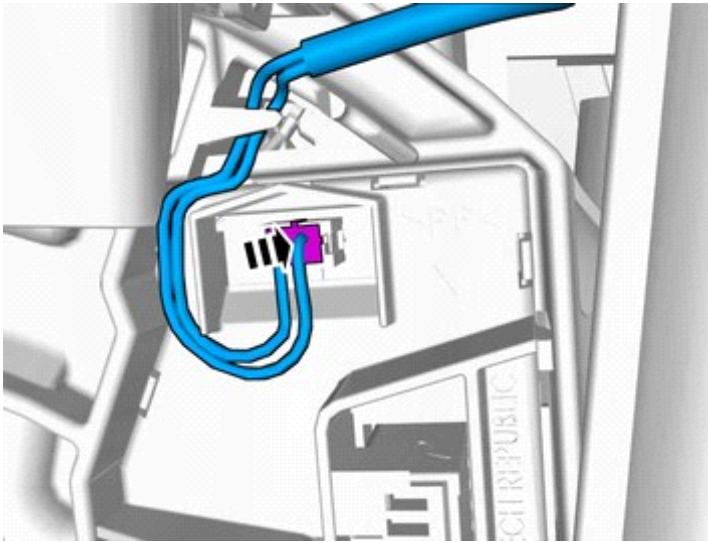


IMG-368015

**Caution!**

Ensure that the wire or wiring harness cannot rub against adjacent components.

52



IMG-417758

Connect the connector.

53

Reinstall the removed parts in reverse order.

**Preparation**

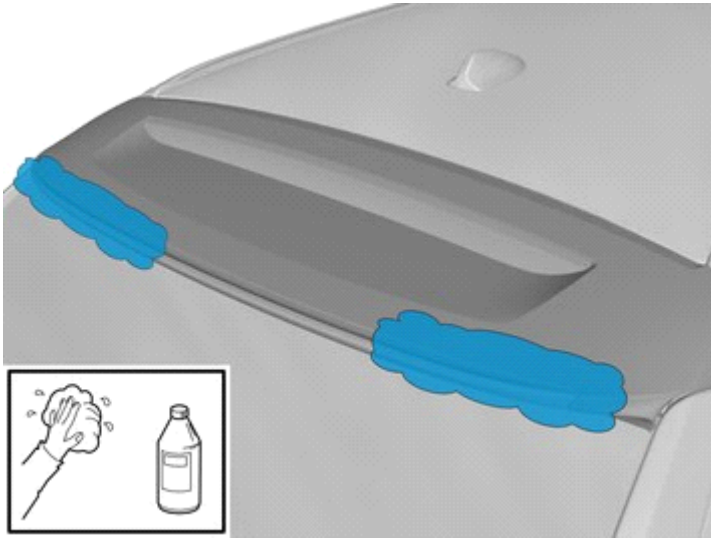




# Installation instructions, accessories

Volvo Car Corporation Gothenburg, Sweden

54



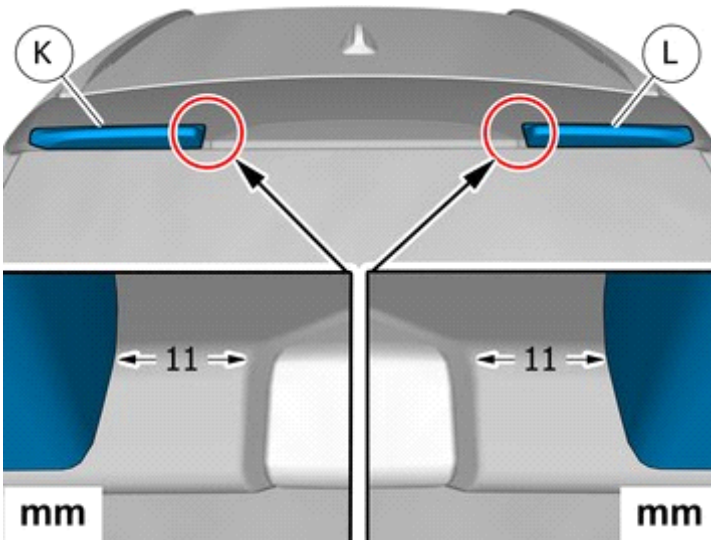
IMG-411585

Clean the surfaces.

**Use:** 1161721, Isopropanol

## Accessory installation

55



IMG-418635

### Note!

Make sure that the component is centred.

- Place the component where indicated in the graphic.
- Use appropriate tape to mark the position.

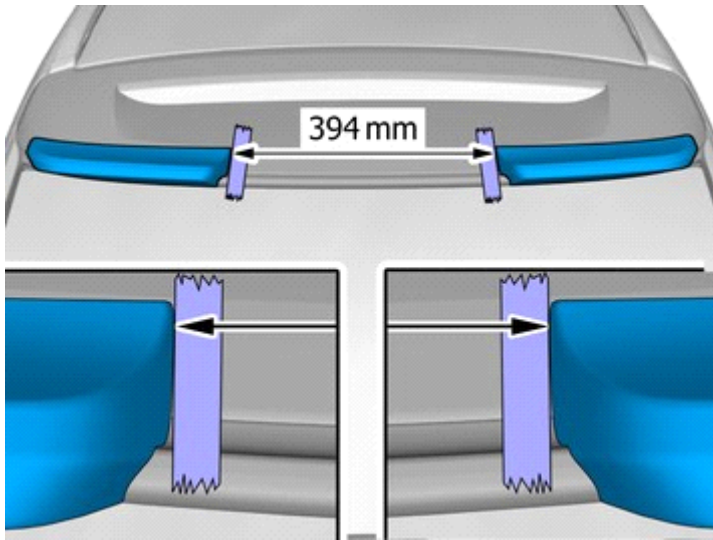
**Use:** , Masking tape



# Installation instructions, accessories

Volvo Car Corporation Gothenburg, Sweden

56



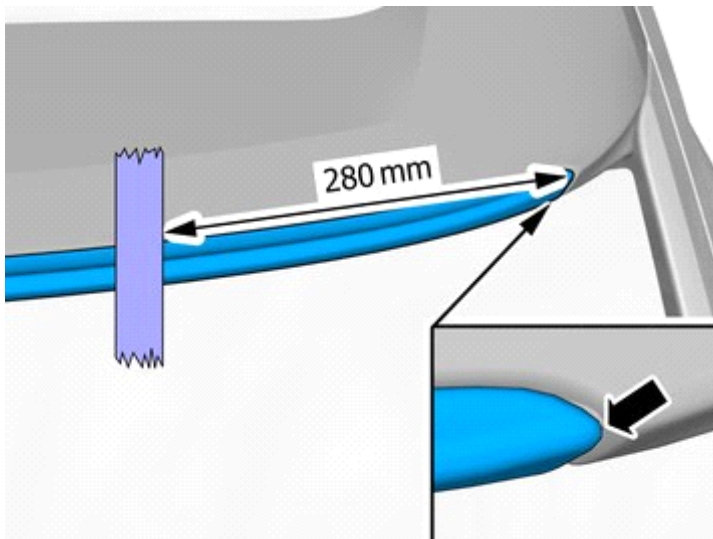
IMG-411605

Measure

**Use:** Tape measure

Remove the marked part.

57



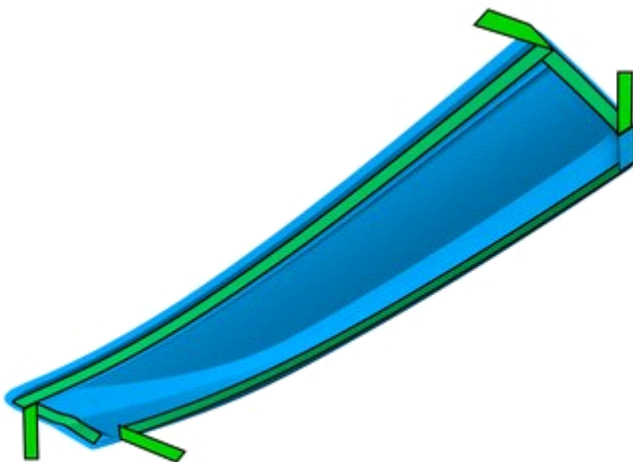
IMG-411739

Measure

**Use:** Tape measure

Repeat on the other side.

58



IMG-411611

Fold the protective film forward

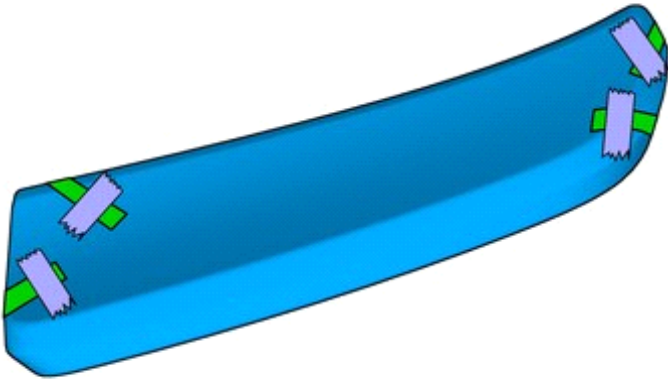


# Installation instructions, accessories

Volvo Car Corporation Gothenburg, Sweden

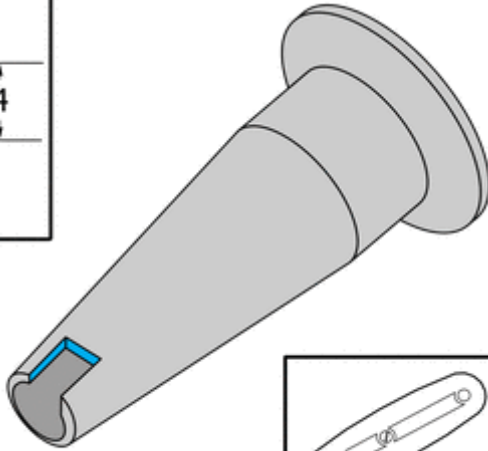
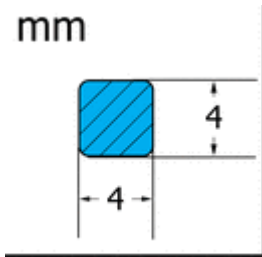
59

**Use:** , Masking tape



IMG-411613

60 mm



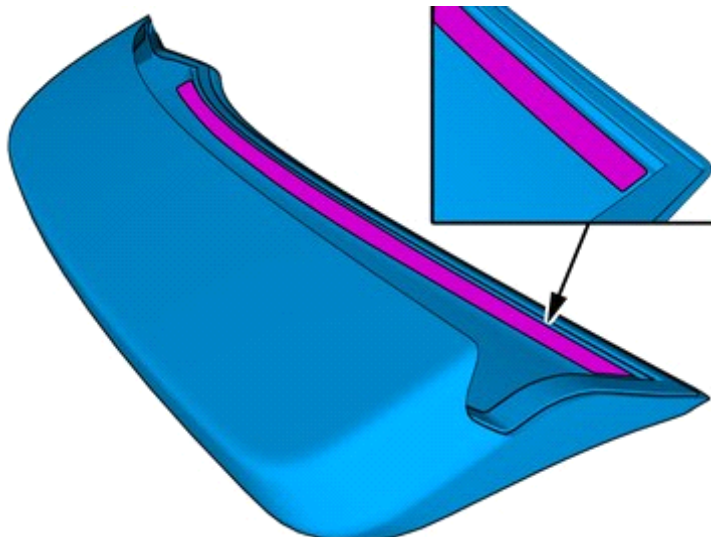
**Caution!**

Cut carefully to avoid unintentional damage or personal injury.

Cut the component following the instructions in the graphic.

IMG-411531

61



Apply the stated Material on the marked surface.

**Use:** 8750060, Glue

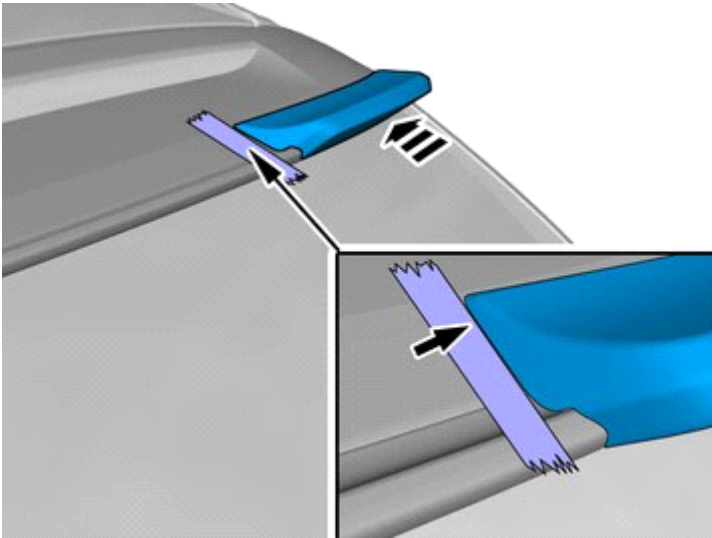
IMG-411614



# Installation instructions, accessories

Volvo Car Corporation Gothenburg, Sweden

62



IMG-411617

**Note!**

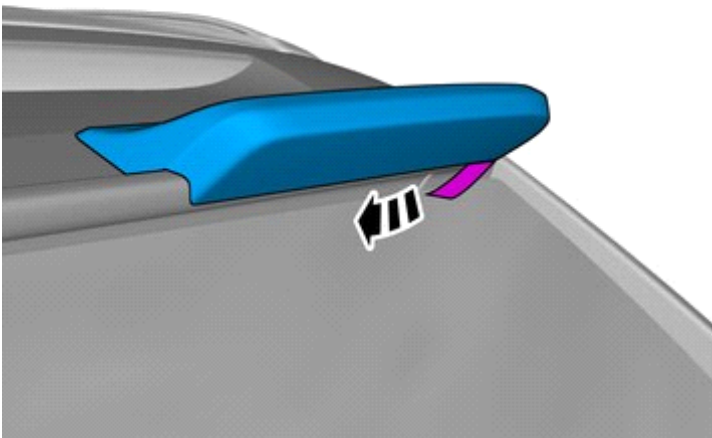
Make sure that the mating faces are clean and free of foreign material.

Install component that comes with the accessory kit.

Place the component where indicated in the graphic.

63

Remove the protective film.



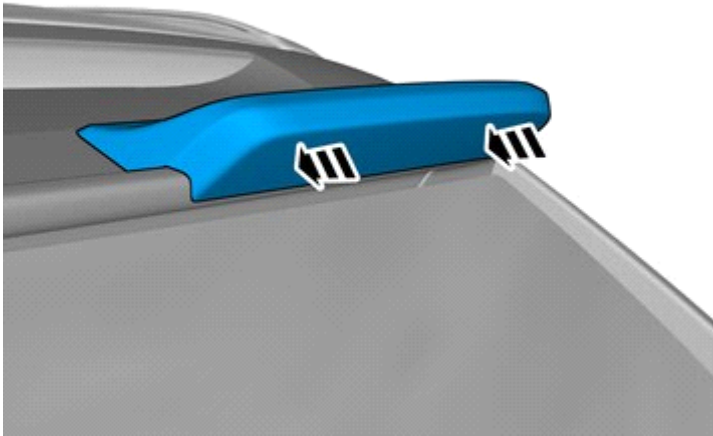
IMG-411621



# Installation instructions, accessories

Volvo Car Corporation Gothenburg, Sweden

64

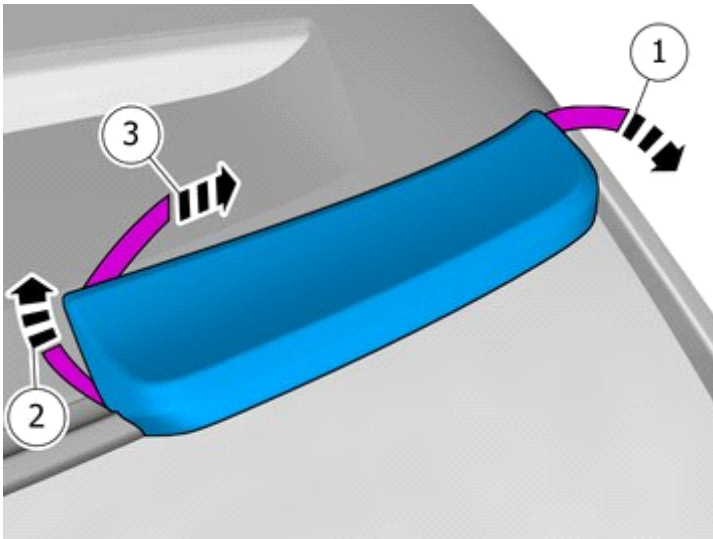


IMG-411742

**Note!**

Press and apply pressure to the part over the tape for at least 20 seconds.

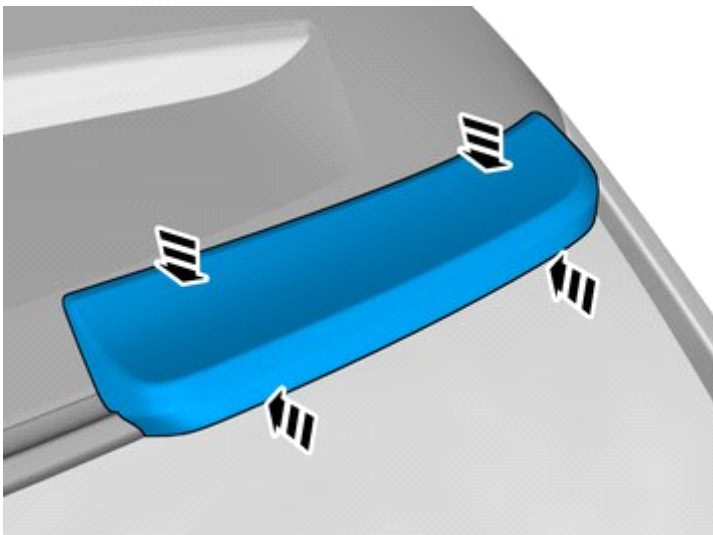
65



IMG-411620

Remove the protective film.

66



IMG-411622

**Note!**

Press and apply pressure to the part over the tape for at least 20 seconds.



# Installation instructions, accessories

Volvo Car Corporation Gothenburg, Sweden

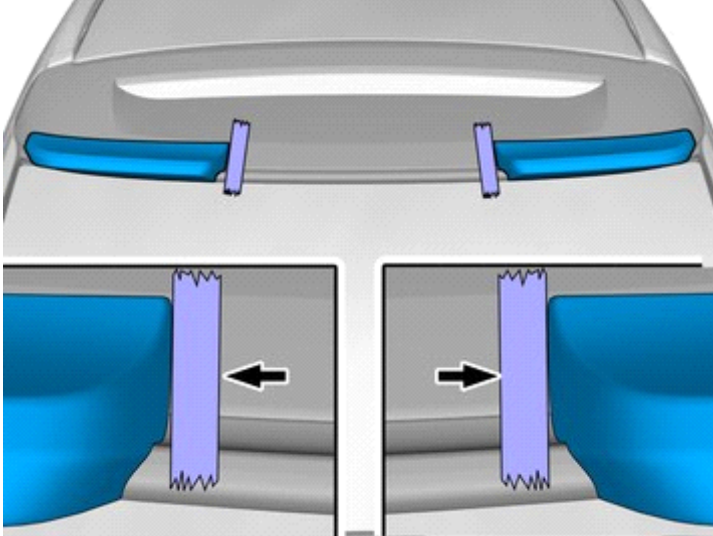
67

Repeat the steps when installing accessories on opposite side.

## Removal

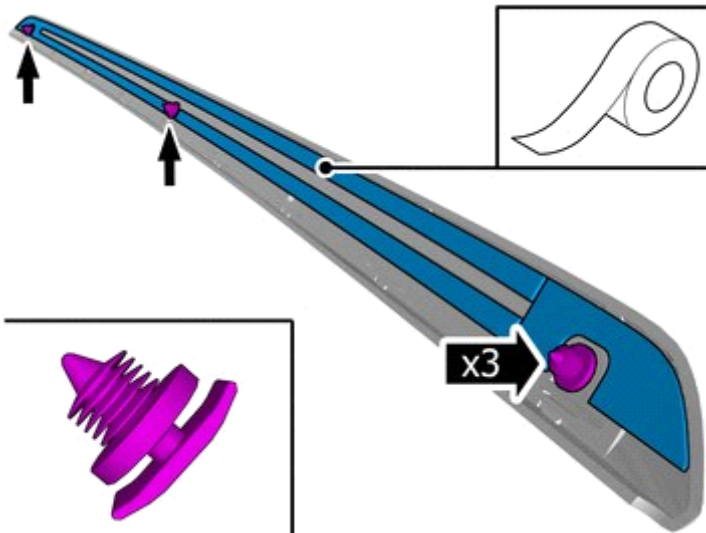
68

Remove the tape.



IMG-411623

69



IMG-413835

### Note!

The graphic shows the back of the component before removal.

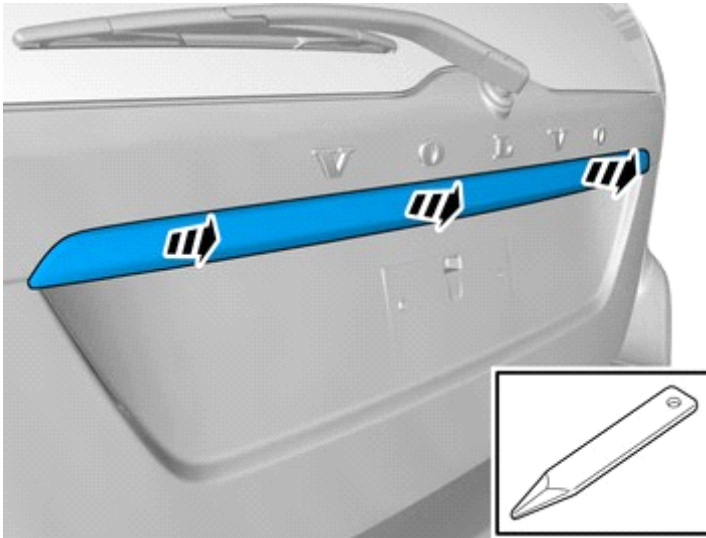




# Installation instructions, accessories

Volvo Car Corporation Gothenburg, Sweden

70



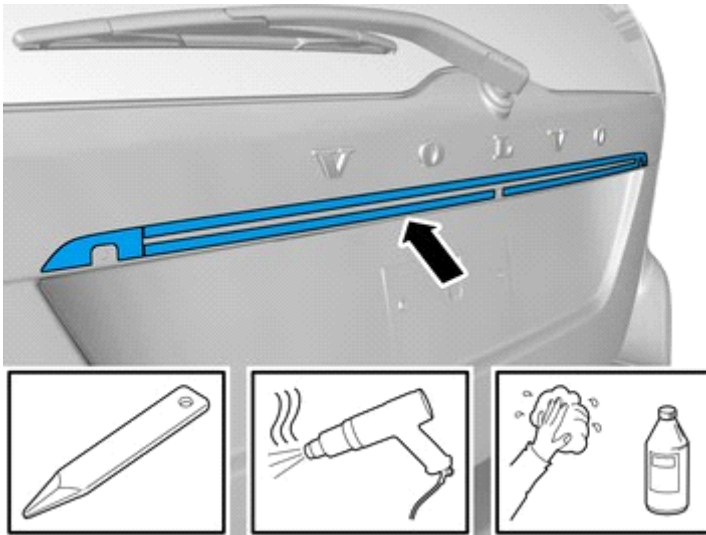
IMG-413845

Remove the marked part.

The part is not to be reused.

**Use:** Interior trim remover

71



IMG-413850

**Caution!**

Make sure that the surface is clean and free of foreign material.

Remove any traces of glue.

Use hands only.

**Use:** Interior trim remover

**Use:** Hot-air gun

**Use:** 1161721, Isopropanol

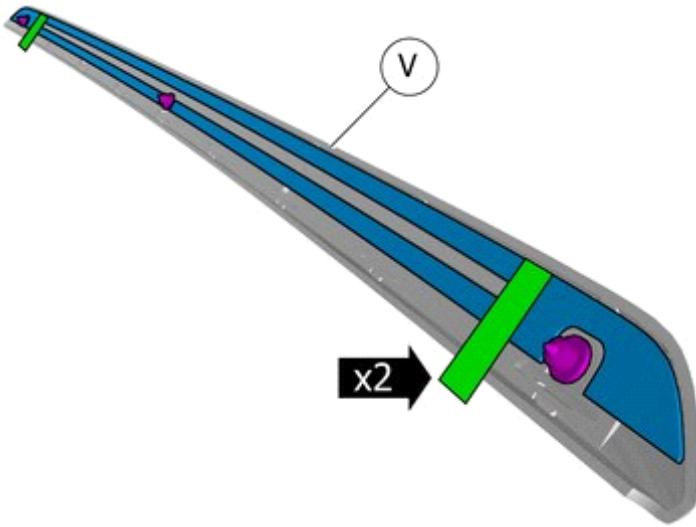
## Accessory installation



# Installation instructions, accessories

Volvo Car Corporation Gothenburg, Sweden

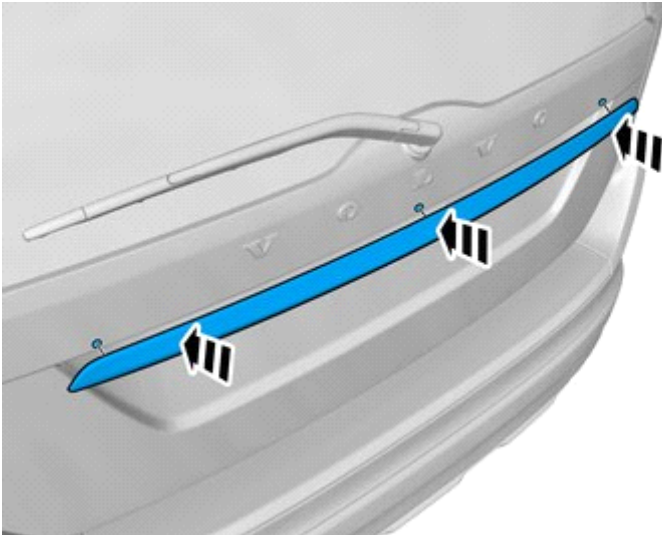
72



Remove the protective film.

IMG-413880

73



Install component that comes with the accessory kit.

Ensure that all clips engage.

IMG-413875

74



**Note!**

Press and apply pressure to the part over the tape for at least 20 seconds.

**Note!**

Ensure that the tape is fixed to the surface.

IMG-413881



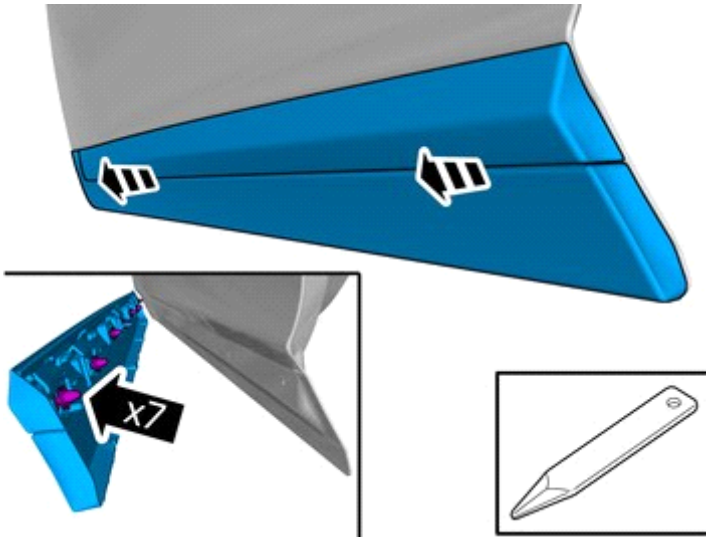


# Installation instructions, accessories

Volvo Car Corporation Gothenburg, Sweden

## Removal

75

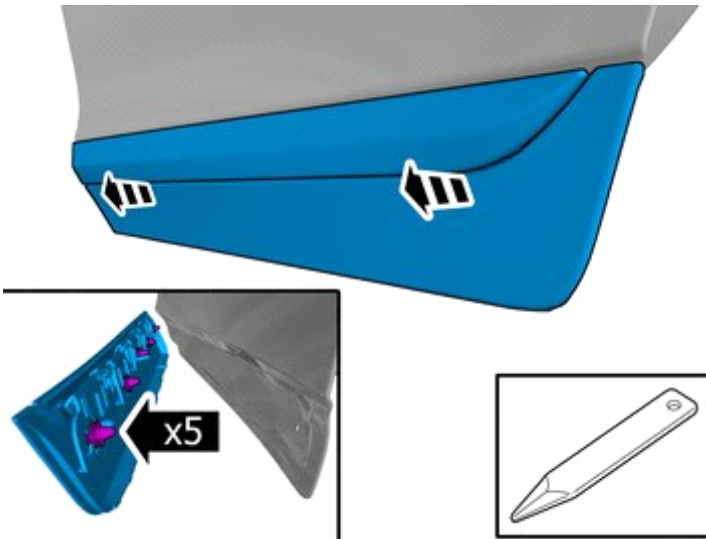


IMG-415641

Remove the marked part.

**Use:** Interior trim remover

76



IMG-415642

Remove the marked part.

**Use:** Interior trim remover

77

Repeat the steps when removing on opposite side.

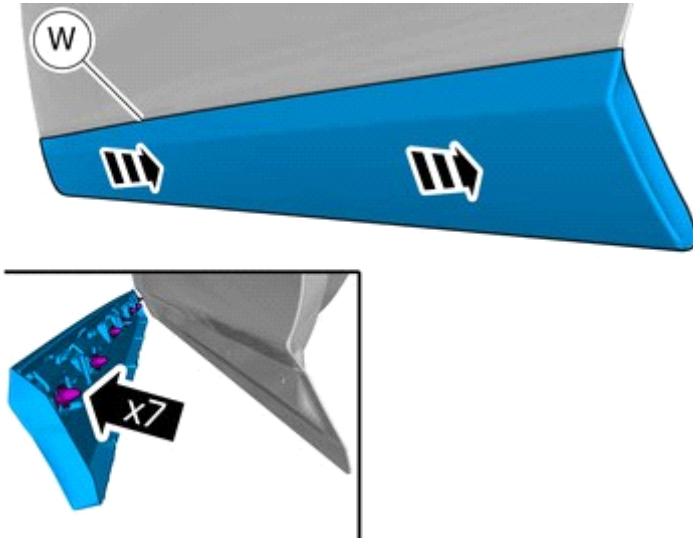
## Accessory installation



# Installation instructions, accessories

Volvo Car Corporation Gothenburg, Sweden

78

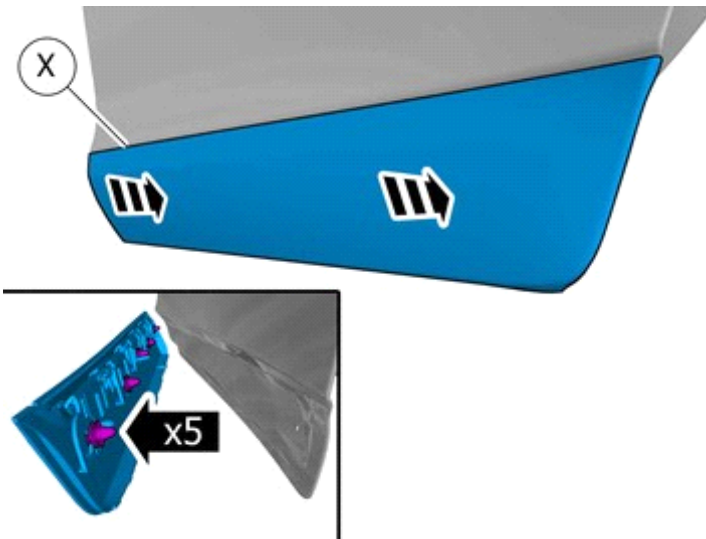


IMG-415644

Install component that comes with the accessory kit.

Ensure that all clips engage.

79



IMG-415643

Install component that comes with the accessory kit.

Ensure that all clips engage.

80

Repeat the steps when installing accessories on opposite side.